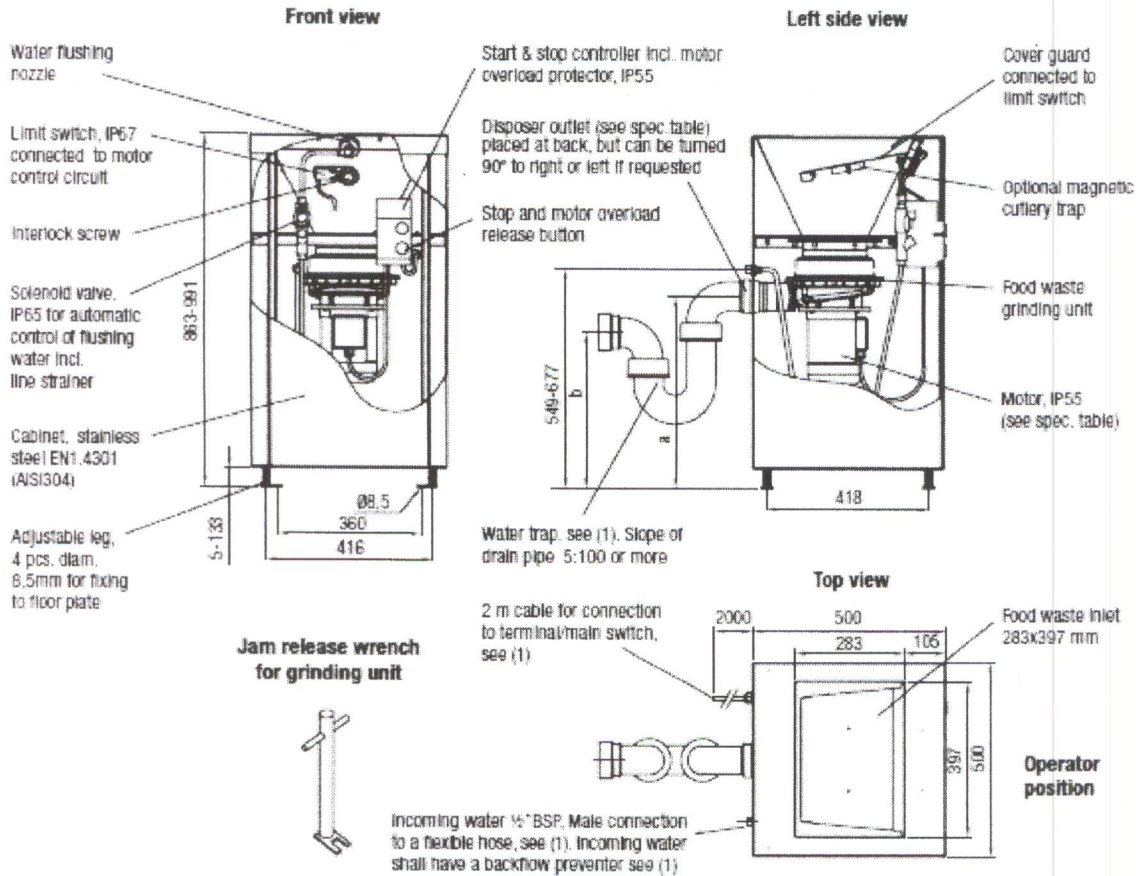


500-EXCELLENT SERIES MC-MODELS

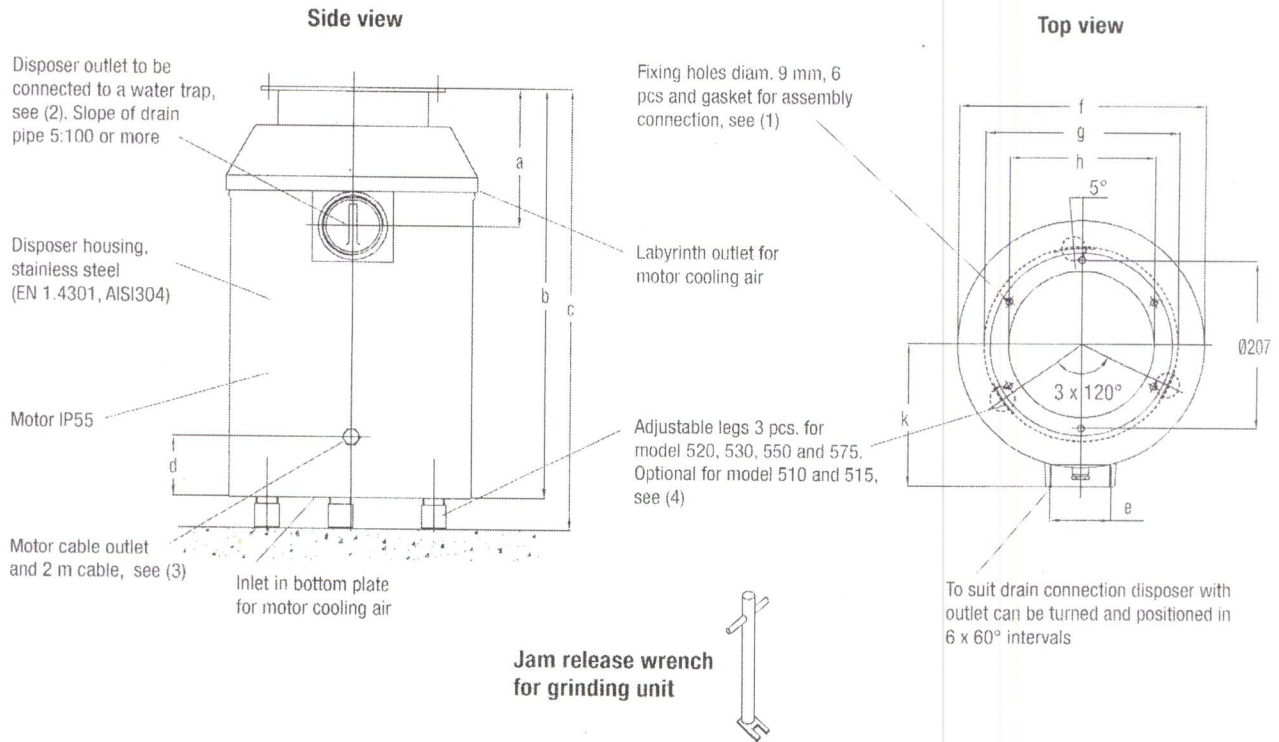


All measurements in mm

| Technical Specifications | 510-MC | 515-MC | 520-MC | 530-MC | 550-MC | 575-MC |
|-------------------------------|--|---------|---------|---------------|---------|---------|
| Normal capacity, kg/hr | 300 | 400 | 500 | 700 | 850 | 1000 |
| Electrical power, kW | 0,75 | 1,1 | 1,5 | 2,2 | 4,0 | 5,5 |
| Rated current, A, for | | | | | | |
| 230V / 3ph / 50Hz | 4,0 | 5,2 | 7,2 | 9,5 | 14,8 | 19,7 |
| 400V / 3ph / 50Hz | 2,3 | 3,0 | 4,1 | 5,2 | 8,6 | 11,5 |
| 440V / 3ph / 60Hz | 2,1 | 2,7 | 3,8 | 5,2 | 7,8 | 11,6 |
| Other 3-ph voltages available | 1-ph 220-240V, 50/60Hz also available for models 510 and 515 | | | | | |
| Control voltage | Marine installation: the same as motor voltage. Land installation: 230V/50Hz | | | | | |
| Fuse rating, slow | 10 A | 10 A | 10 A | 16 A | 16 A | 25 A |
| Drainage outlet | 2" | BSP, | Female | 2 1/2" | BSP, | Female |
| Height of disposer outlet (a) | a = 501 - 629 | | | a = 466 - 594 | | |
| Ditto for water trap (b) | b = 449 - 577 | | | b = 434 - 562 | | |
| (If ordered from Disperator) | | | | | | |
| Gross / net weight, kg | 70 / 59 | 70 / 59 | 71 / 60 | 91 / 80 | 96 / 85 | 99 / 88 |



500-EXCELLENT SERIES BASIC-MODELS



All measurements in mm

| | | | | | | |
|-------------------------------|--|---------|---------|------------------|------------------|---------|
| Normal capacity, kg / hr | 300 | 400 | 500 | 700 | 850 | 1000 |
| Electrical power, kW | 0,75 | 1,1 | 1,5 | 2,2 | 4,0 | 5,5 |
| Rated current, A for: | | | | | | |
| 230 V / 3 ph. / 50 Hz | 3,7 | 4,6 | 5,9 | 9,0 | 14,4 | 19,7 |
| 400 V / 3 ph. / 50 Hz | 2,1 | 2,6 | 3,4 | 5,2 | 9,0 | 11,5 |
| 440 V / 3 ph. / 60 Hz | 2,1 | 2,4 | 3,5 | 5,2 | 7,5 | 11,6 |
| Other 3-ph voltages available | 1-ph 220-240V, 50/60Hz also available for models 510 and 515 | | | | | |
| Control voltage | For marine installation the same as motor voltage. For land installation 230V / 50HZ | | | | | |
| Fuse rating, slow | 10 A | 10 A | 10 A | 16 A | 16 A | 25 A |
| Gross / net weight, kg | 29 / 26 | 32 / 29 | 37 / 34 | 45 / 42 | 48 / 45 | 57 / 54 |
| Measurement a | 151 | 151 | 151 | 176 | 176 | 176 |
| Measurement b | 425 | 425 | 568 | 545, see (5) | 545, see (5) | 640 |
| Measurement c | See (4) | See (4) | 591-715 | 570-635, see (5) | 570-635, see (5) | 665-730 |
| Measurement d | 40 | 40 | 40 | 75 | 75 | 75 |
| Measurement e | 2" | BSP, | Female | 2 1/2" | BSP, | Female |
| Measurement f | 253 | 253 | 253 | 310 | 310 | 310 |
| Measurement g (legs) | see (4) | see (4) | 204 | 236 | 236 | 236 |
| Measurement h (inlet) | 160 | 160 | 160 | 174 | 174 | 174 |
| Measurement k | 150 | 150 | 150 | 176 | 176 | 176 |

- (1) For CE-marking an approved assembly from DISPERATOR or other manufacturer is needed above disposer inlet.
- (2) Installation material needed but not incl. in standard delivery are electrical connection terminal / main switch and water trap. Can be ordered from DISPERATOR.
- (3) For connection to start & stop controller (IP55, incl. overload protector) placed on wall / bulkhead. Controller to be connected to terminal / main switch, see (2).
- (4) Suspended under the assembly and therefore as standard without legs. Legs available as option – and then with same measurements b), c) and g) as model 520. Models 510, 515 1-ph have same measurements b), c) and g) as model 520.
- (5) Short version (b = 510 mm and c = 522–593 mm) available as option. Long version (b = 640 mm and c = 665–730 mm) also available as option.
- (6) Installation, operation and service instructions are together with this product leaflet included in delivery.

Disperator AB

Mälärvägen 9, SE-141 71 Segeltorp, Sweden
 Tel +46 8 724 01 60, Fax +46 8 724 60 70
 info@disperator.se, www.disperator.se