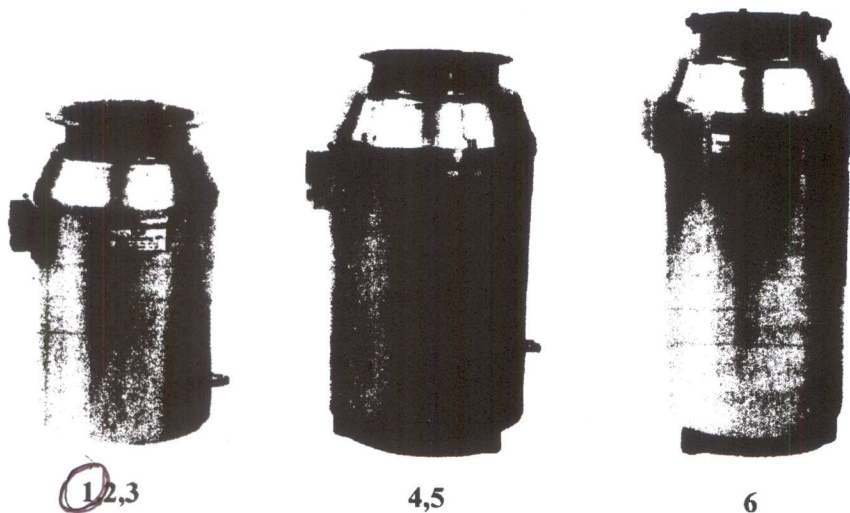




Uson Food Waste Disposer Model 1-6

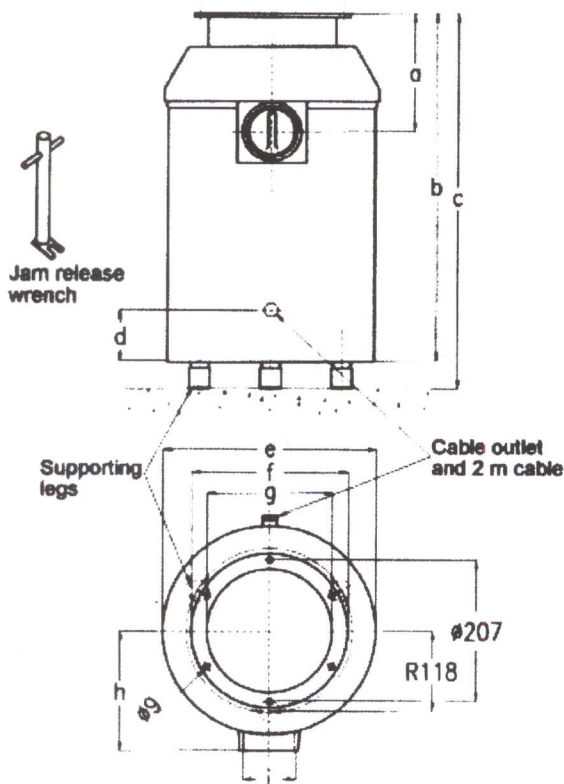
Food waste disposers are a very efficient solution for treating food waste in galleys, bars and pantries. Their relatively small size and low water consumption, compared to pulpers, make these machines easy to install in the work flow, eliminating many manual transport routes.

Due to the competitive price, it is a very good solution to install machines in several strategic positions. Specially adapted rinse hoppers are available to offer specialised service in scullery, pot wash, preparation and other areas. Uson Marine also offers control systems that reduce water consumption by up to 70%, as well as easy to service soft bend water traps.



- Reduce food waste by 80% of original volume. Pieces are Ø 0-5 mm.
- Easy and safe technology. Compliance with EU machine directive.
- Very good hygiene. Approved by National Swedish Board of Occupational Safety and Health, Report No. S739. Complies with IMO Marpol 73/78 Annex V, US Coast Guard and USPHS.
- Highly compact and flexible installation – very easy to service.
- Low water consumption.
- Very economical installation, standard grey water piping.
- Modular installation – one unit can be serviced without stopping the system.
- Standard delivery includes contactor with motor protector, solenoid valve, line strainer and jam release wrench.

Uson Marine AB
P.O. Box 107 15
SE.121 29 Stockholm-Globen
Sweden
Phone +46 (0)8 556 717 00
Fax +46 (0)8 556 717 01
Email uson@usonmarine.se
www.usonmarine.se



Model	1-3	4-5	6
a	151	173	173
b	419	541*	633
c	Legs not required	571-616	663-708
d	40	75	75
e	253	309	309
f	225	225	225
g	169	180	180
h	150	176	176
i	R2" BSP Female	R2 1/2" BSP Female	R2 1/2" BSP Female

All dimensions in mm.

* Short model (503 mm) available.

TECHNICAL SPECIFICATION

Model	1	2	4	5	6
Electrical Power	0.75 kW	1.1 kW	2.2 kW	4.0 kW	5.5 kW
Rated current, A, for voltage/phase/frequency					
230/3/50	3.5	5.6	8.8	15.8	20.7
240/3/50	3.5	4.7	9.0	16.1	20.3
400/3/50	2.0	3.2	5.1	9.1	11.9
415/3/50	2.0	2.7	5.2	9.3	11.7
440/3/60	2.1	2.6	5.2	9.0	12.3
Other voltages available					
Net Weight, kg	27	29	44	50	66
Gross Weight, kg	31	33	48	54	70
Fuse	16 A		16 A		25 A
Shipping volume	0.1 m ³				
Control Voltage Protection class	230 V or 24 V or the same as the motor voltage. IP56				
Water connection Water control	DN 15 BSP Female connection on line strainer. Automatic solenoid valve operating in conjunction with motor.				
Drain outlet	Water trap needed. The slope of the drain pipe must not be less than 2:100, preferably 5:100				

All specifications are subject to change without prior notice.